

# KNAUF

*Floating Canopy Systems*

## **MINERAL Sky Line**

*Individual*



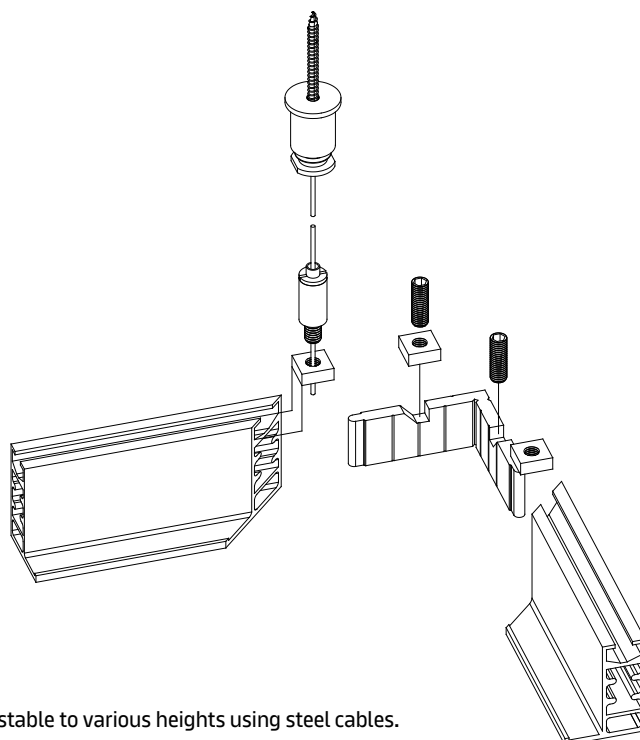
MINERAL Sky Line is a flexible ceiling raft system, and is available in a wide range of colours and shapes. The unique design offers architects and designers the opportunity to create exciting ceiling clouds in any interior space. The rafts consist of a self-supporting frame fixed to the ceiling with an adjustable suspension system and are installed with AMF THERMATEx® acoustic ceiling tiles

- AMF THERMATEx® Alpha and Alpha HD laminated ceilings are available in a variety of colours, and are ideal for offices, classrooms and learning applications
- Suspension cables are discreet and virtually invisible

***Build on us.***

Characteristics	Detailed information							
Thickness (mm)		40						
Dimensions (mm)		1200 x 1200						
Additional dimensions on request		2400 x 1200 2440 x 1240 3600 x 1800						
System		Wire Hanger						
Weight		<b>3.0 - 6.0 kg/m<sup>2</sup></b>						
Colour & design		 White						
Sound absorption		EN ISO 354						
		<b>Frequency f (Hz)</b> <b>Equivalent Absorption Area Aobj*</b>	<b>125</b>	<b>250</b>	<b>500</b>	<b>1000</b>	<b>2000</b>	<b>4000</b>
		MINERAL Sky Line 1200 x 1200 mm Suspension height 300 mm	0.35	0.85	1.15	1.80	1.95	1.95
*Values shown are the average of the 3 one third octave band values								
Light reflectance		Up to <b>88%</b>						
Humidity resistance		<b>95%</b>						
Cleanability/ Sustainability			 WOLLMARKET EC 1272/2008 Annex G					

Frame detail



Flexible design and adjustable to various heights using steel cables.